

Operational Manual

3-AXIS Day & Night Vandal Proof Dome Camera



Please read the Operational Manual before attempting to use this product.

FEATURES

SHDX-755AIDN-VD

SHDX-755AIDN-VDP

- 1/3" Sony Super HAD CCD
- 550 TV Lines, HQ-1
- 2.9mm~10.0mm Aspherical Auto Iris Lens

Made in Japan

- 0.25 Lux @ F1.2
- IP66 Rating
- 12V DC

SSDX-742AI-VD

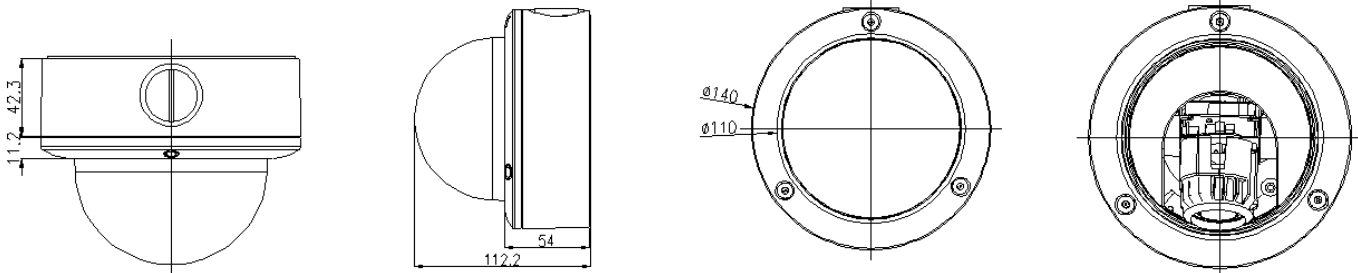
SSDX-742AI-VDP

- 1/3" Sony Super HAD CCD
- 420 TV Lines
- 2.9mm~10.0mm Aspherical Auto Iris Lens

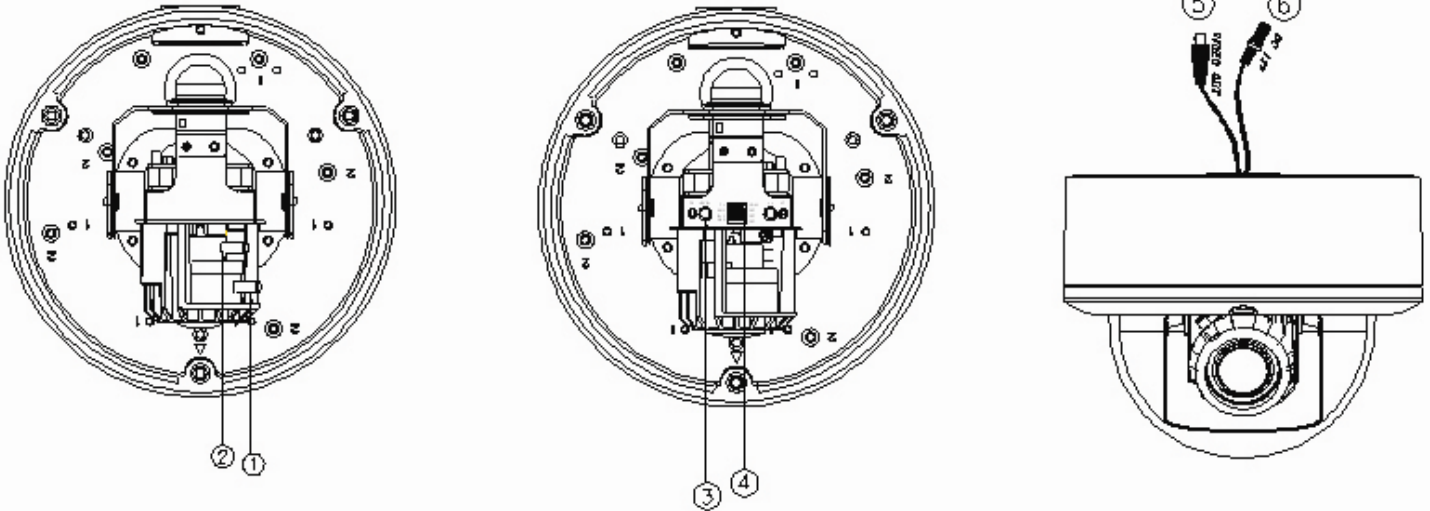
Made in Japan

- 0.15 Lux @ F1.2
- IP66 Rating
- 12V DC

DIMENSIONS (Unit: mm)



NOMENCLATURE AND FUNCTION



3. DC LEVEL

The VR for adjusting the IRIS level of Auto Iris lens.

4. CONTROL SWITCHES

Switch 1. AES: Automatic Electronic Shutter.

AES / OFF switch.

The range of shutter speed from 1/60 (1/50sec.) to 1/100,000 sec.. This mode is employed for using a manual iris lens.

OFF: AES OFF. The shutter speed is 1/60sec. (1/50sec.).

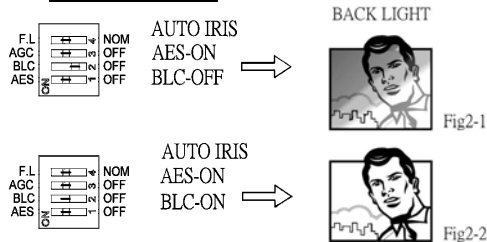
When an auto iris lens is applied, AES should be off.

Switch 2. BLC: Backlight Compensation.

BLC / OFF switch.

When the object is dark by strong light (sunlight etc....) as (Fig.2-1), please turn on BLC to make object become bright as (Fig.2-2).

OFF: BLC OFF.



Switch 3. AGC: Automatic Gain Control.

AGC / OFF switch.

AGC level of gain varies from 0 to 26dB.

OFF: AGC OFF. The level of gain is fixed at 0dB.

Switch 4. FL: Flickerless.

F.L / NOM switch.

In FL mode, the shutter speed is 1/100sec. (NTSC system) / 1/120sec. (PAL).

If choose FL mode, [AES] switch should be off.

NOM: Normal position.

5. Video connector

This is an output for connection to a video monitor, etc (75Ω).

6. Power input terminal

Connect to 12V DC power supply.

SPECIFICATIONS

Model	SHDX-755AIDN-VD	SHDX-755AIDN-VDP	SSDX-742AI-VD	SSDX-742AI-VDP
TV System	NTSC	PAL	NTSC	PAL
Image Sensor	1/3" Sony Super HAD CCD			
DSP	Sony HQ-1		Sony	
Total Pixel	811(H) x 508(V)	795(H) x 596(V)	537(H) x 505(V)	537(H) x 557(V)
Synchronizing System	Internal			
Resolution	550 TV Lines		420 TV Lines	
Minimum Illumination	0.25 Lux @ F1.2 Color mode automatically switches to B/W mode under 2.0 Lux		0.15 Lux @ F1.2	
S/N Ratio	More than 48dB (AGC OFF)			
Auto Gain Control	ON/OFF (Switchable)			
Flickerless	ON/OFF (Switchable)			
BLC	ON/OFF (Switchable)			
AES	ON/OFF (Switchable)			
DC Level	The VR for adjusting the IRIS level of auto Iris lens			
White Balance	AWB / 2500°K ~ 9200°K			
Video Output	1Vp-p composite / 75 Ω			
Lens / Angle of View	2.9mm~10.0mm / F1.2 Aspherical Auto Iris Lens, 94.6°~28.8° (Made in Japan)			
Max Breaking Strength	656.1 Kgf			
Waterproof Level	IP66			
Lead Free	Yes			
Power Supply	12V DC			
Power Consumption	145mA / 1.7W		85mA / 1.0W	
Operating Temperature	-10°C ~ +50°C			
Dimension	112.2 (dia) x 140 (H) mm			
Weight	950g			

*Specifications are subject to change without notice

LIST OF COMPONENTS

- One (1) SHDX-755AIDN-VD/SHDX-755AIDN-VDP or SSDX-742AI-VD/SSDX-742AI-VDP Camera with video/power cable
- One (1) L-type Star Wrench
- One (1) L-type Hexagon Wrench
- Three (3) Wall Anchors
- Three (3) Mounting Screws
- One (1) Operational Manual

* For any returns, please include all components listed above with original packaging in **Resalable Condition**.
Absolutely No Returns will be accepted if any component is missing/damaged or if any cable is cut or tampered with.



CAUTION

1. Never point the camera toward the sun

Do not expose the lens directly to the sun or to strong light as this may damage the pick-up device.

2. Handle this camera with care

Avoid any shock or bumping of the camera. Improper handling could damage the camera.

3. Requires a proper operating environment

This camera is designed for outdoor or indoor use. The allowable temperature range for operation of this camera is between $-10^{\circ}\text{C} \sim 50^{\circ}\text{C}$ and the allowable humidity is 85%RH maximum.

4. Clean the front face to the pick-up device

It is recommended that the pick-up device surface be cleaned before lens installation or whenever the lens is changed. Cleaning should be done by using a chamois, a very fine soft cloth, lens tissue, or cotton tipped applicator and ethanol to carefully remove any fingerprint or dust.

5. Check the power source voltage

The power source voltage should be within the specified range. (Camera must meet the specifications). Camera must be connected to a surge protector at all times.

6. Objects and liquid entry

Never push objects of any kind into this camera as this may touch dangerous voltage points of short out parts that could result in a fire or electric shock. Never spill any kind of liquid on the video product.

7. Servicing

Do not attempt to service this video product by yourself as opening or removing covers may expose you to dangerous voltage or other hazards. Refer all service to qualified servicing personnel.

8. Damage requiring service

Unplug this video product from the wall outlet and refer service to qualified servicing personnel under the following conditions:

- a. When the power supply cord or plug is damaged.
- b. If liquid has been spilled, or objects have fallen into the video product.
- c. If the video product has been dropped or the cabinet has been damaged.
- d. When the video product exhibits a distinct change in performance.



WARRANTY

O.K.I.USA Products are covered under warranty for one year from the date of purchase. The warranty will automatically be voided if any of the following occurs:

1. Camera sticker is removed

If the camera sticker is removed, we will not be able to confirm any information regarding when and where the product was purchased. We have no other way to verify the purchase record without the serial number on the camera sticker; therefore, it should not be removed.

2. Camera is modified in any way

If the camera is scratched, damaged, or modified in a manner not described in this manual, the warranty will be voided immediately. It is the customer's responsibility to keep the camera in good condition.

3. Video or power cable is cut

The video cable and the power cable should not be tampered with. Cutting or modifying of the cables will result in termination of the warranty.