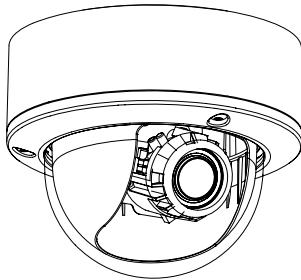




**SEDX-768AI-VD** 12V DC  
**SEDX-768AI-VDD** 12V DC / 24V AC

### 3-AXIS Vandalproof Dome Camera Effio-E



#### Quick Setup Guide

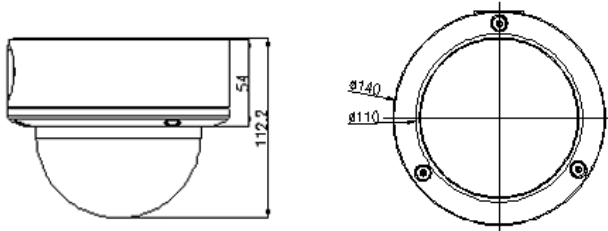
**\*\* Please refer to User Manual CD for detailed information \*\***

### FEATURES

- 1/3" Sony 960H Exview CCD
- Sony Effio-E DSP
- Color: 680 TVL, B/W: 700 TVL
- 2.8mm~10.5mm Aspherical Auto Iris Lens
- Color: 0.1 Lux @ F1.2, B/W: 0.08 Lux @ F1.2
- Multi-Language OSD Control
- ATR Digital Powerful 128x WDR (52dB)
- Anti-Headlight (HLC)
- 2D Noise Reduction; High Contrast Images
- Ideal for Backlight Environments
- Mosaic Privacy Mask
- Advanced Motion Detection Function
- Picture Quality Adjustable (Contrast/Sharpness/Hue/Gain)
- Water Resistance: IP66 ; Breaking Strength: 656.1Kgf
- Built-in Varifocal Lens & Unique 3 Axis Gimble Mechanism
- 3-AXIS Bracket
- SEDX-768AI-VD: 12V DC, 2.3W
- SEDX-768AI-VDD: 12V DC / 24V AC, 2.3W



### DIMENSIONS (Unit: mm)

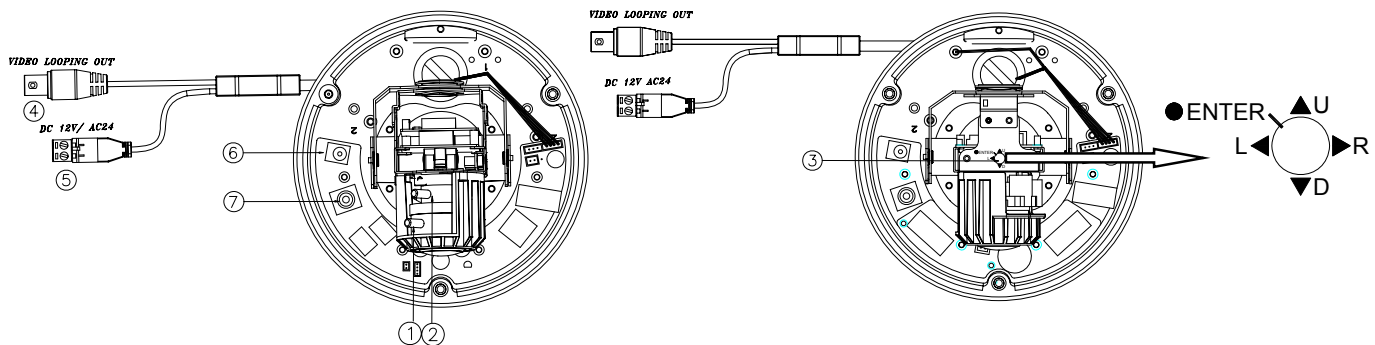


### PACKAGE CONTENTS

- One (1) SEDX-768AI-VD or SEDX-768AI-VDD camera with video/power cable
- Three (3) Mounting Screws
- Three (3) Wall Anchors
- One (1) Allen Wrench
- One (1) Star Wrench
- One (1) DC Connector
- One (1) Cleaning Cloth
- One (1) Warning Sign Sticker
- One (1) Quick Setup Guide
- One (1) CD with User Manual

\* For any returns, please include all components listed above with original packaging in **Resalable Condition**. **Absolutely No Returns** will be accepted if any components are missing/damaged or if any cable is cut or tampered with.

### DESCRIPTION OF CAMERA PARTS



- (1) **FAR / NEAR**  
To adjust the lens focus for near and far.
- (2) **WIDE / TELE**  
To adjust the lens angle for wide and tele.
- (3) **OSD Control Buttons**  
ENTER button  
UP & DOWN button  
LEFT & RIGHT button
- (4) **VIDEO Connector**  
This is an output for BNC connection to a video monitor, etc. (75Ω).

- (5) **Power Input Terminal**  
Connect the power input of 12V DC for SEDX-768AI-VD or 12V DC / 24V AC for SEDX-768AI-VDD.
- (6) **Secondary Power Input Terminal**  
Connect the power input of 12V DC (Available for SEDX-768AI-VDD only).
- (7) **Secondary VIDEO Connector for Service Monitor**  
This is an RCA output (Available for SEDX-768AI-VDD only).

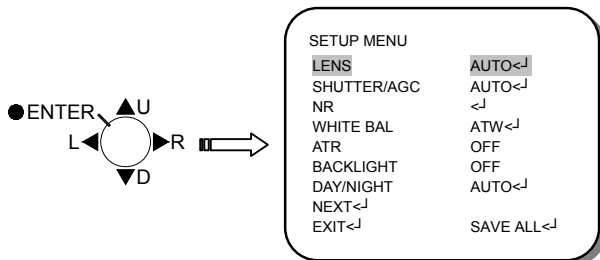
## SPECIFICATION

PIC	D-235	D-241
Model	SEDX-768AI-VD	SEDX-768AI-VDD
Image Sensor	1/3" Sony 960H Exview CCD	
Number of Total Pixels	NTSC: 1028(H) x 508(V) / PAL: 1024(H) x 596(V)	
Resolution ; DSP	Color: 680 TVL, B/W: 700 TVL ; Sony Effio-E	
Minimum Illumination	Color: 0.1 Lux @ F1.2, B/W: 0.08 Lux @ F1.2	
Wide Dynamic Range	ATR Digital WD (ATR: Adaptive Tone-curve Reproduction) ; 128x Normal Camera (52dB)	
Video Output ; Connector	1.0Vp-p Composite, 75Ω ; BNC	1.0Vp-p Composite, 75Ω ; BNC RCA Service Monitor Output
Signal to Noise Ratio	More than 52dB (AGC off, Weight on)	
Gamma Correction	0.45	
Menu	OSD Control	
Title	TITLE (LOCATION)	
Synchronizing System	INTERNAL	
Digital Day&Night Mode	COLOR / B&W / AUTO	
Electronic Shutter	AUTO (1/50(60)~1/100,000sec.) / MANUAL: 1/50(60), FL 1/120(100), 1/250, 1/500, 1/1,000, 1/2,000, 1/4,000, 1/10,000sec.	
Automatic Gain Control	AUTO (4 steps)	
White Balance	ATW / PUSH / USER1 / USER2 / ANTI CR / MANUAL / PUSH LOCK	
Back Light Compensation	HLC / BLC / OFF	
Flickerless	ON / OFF	
Dynamic Noise Reduction	2D	
Language	ENGLISH / JAPANESE / GERMAN / FRENCH / RUSSIAN / PORTUGUESE / SPANISH / SIMPLIFIED CHINESE	
Motion Detection ; Privacy	ON / OFF (24x16 Zones, Alarm) ; ON / OFF (8 Zones Programmable, Polygonal Mosaic)	
Lens Mount	Built-in DC Auto IRIS Lens	
Lens, Angle of View (H)	2.8mm~10.5mm / F1.2 Aspherical Auto Iris Lens / 99.5°~27.4°	
Water Resistance	IP66	
Max. Breaking Strength	656.1 Kgf	
Power Input ; Consumption	12V DC ; 2.3W	12V DC / 24V AC ; 2.3W Internal 12V DC Only
Operation ; Storage Temp.	14°F~122°F ; -4°F~140°F / -10°C~50°C ; -20°C~60°C	
Operation ; Storage Humidity	Maximum: RH80% ; RH90%	
Dimensions	5.51"(DIA) x 4.41"(H) / 140mm(DIA) x 112mm(H)	
Net Weight	2.09 lbs / 950g	

\* Specifications are subject to change without notice.  
PAL version also available.

## OSD OPERATION

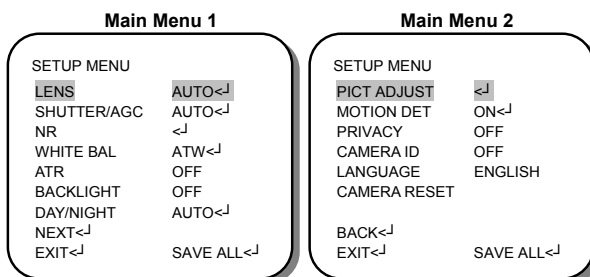
Use **OSD Control Buttons** to operate OSD and adjust settings.



- 1. Start to operate the OSD menu**  
Press the **ENTER** button to bring up the OSD main menu to start operating OSD menus.
- 2. Select items with the cursor buttons**
  - Use buttons **▲** and **▼** to move the cursor up and down.
  - Use buttons **◀** and **▶** to switch the modes or to adjust the parameters or the values of the settings.
- 3. Switch to the sub-menu**  
Items with "<J" symbol in the end contains sub-menus. For further settings of those items, select the desired item with the button **▲** or **▼** and press the **ENTER** button to bring up the sub-menu and edit.
- 4. Return to the previous page**  
Select **RETURN** and press the **ENTER** button to return to the previous page.
- 5. Exit the OSD menu**  
Select **EXIT** with the button **▲** or **▼** and press the **ENTER** button to exit the OSD menu.

## BASIC SETTINGS

There are 2 pages of the OSD main menu. Adjust the item with buttons ◀ and ▶, for the item with sub-menus, click enter to edit it.



### Main Menu 1

- **LENS:** MANUAL / AUTO<J
- **SHUTTER/AGC:** AUTO<J / MANUAL<J
- **NR:** NR MODE / Y LEVEL / C LEVEL
- **WHITE BAL:** ATW / PUSH / USER1 / USER2 / ANTI CR / MANUAL / PUSH LOCK
- **ATR:** OFF / ON<J
- **BACKLIGHT:** OFF / BLC / HLC
- **DAY/NIGHT:** AUTO<J / COLOR / B/W
- **NEXT<J:** Go to the next page of the main menu.
- **EXIT<J:** Exit the OSD menu.
- **SAVE ALL<J:** Save all the settings made.

### Main Menu 2

- **PICT ADJUST:** MIRROR / BRIGHTNESS / CONTRAST / SHARPNESS / HUE / GAIN
- **MOTION DET:** DETECT SENSE / BLOCK DISP / MONITOR AREA / AREA SEL(TOP / BOTTOM / LEFT / RIGHT)
- **PRIVACY:** AREA SEL(TOP / BOTTOM / LEFT / RIGHT) / COLOR / TRANSP / MOSAIC
- **CAMERA ID:** OFF / ON<J
- **LANGUAGE:** ENGLISH / 日本語 / DEUTSCH / FRANCAIS РУССКИЙ / PORTUGUÊS / ESPAÑOL
- **CAMERA RESET:** Select to restore all the setting to the default values.
- **BACK<J:** Go back to the previous page of the main menu.
- **EXIT<J:** Exit the OSD menu.
- **SAVE ALL<J:** Save all the settings made.



## CAUTION

- 1. Never point the camera toward the sun**  
Do not expose the lens directly to the sun or to strong light as this may damage the pick-up device.
- 2. Handle this camera with care**  
Avoid any shock or bumping of the camera. Improper handling could damage the camera.
- 3. Requires a proper operating environment**  
This camera is designed for indoor and outdoor use. The allowable temperature range for operation of this camera is between 14°F~122°F / -10°C~50°C and the allowable humidity is 90%RH maximum.
- 4. Clean the front face to the pick-up device**  
It is recommended that the pick-up device surface be cleaned before lens installation or whenever the lens is changed. Cleaning should be done by using a chamois, a very fine soft cloth, lens tissue, or cotton tipped applicator and ethanol to carefully remove any fingerprint or dust.
- 5. Check the power source voltage**  
The power source voltage should be within the specified range. (Camera must meet the specifications). Camera must be connected to a surge protector at all times.
- 6. Objects and liquid entry**  
Never push objects of any kind into this camera as this may touch dangerous voltage points of short out parts that could result in a fire or electric shock. Never spill any kind of liquid on the video product.
- 7. Servicing**  
Do not attempt to service this video product by yourself as opening or removing covers may expose you to dangerous voltage or other hazards. Refer all service to qualified servicing personnel.
- 8. Damage requiring service**  
Unplug this video product from the wall outlet and refer service to qualified servicing personnel under the following conditions:
  - a. When the power supply cord or plug is damaged.
  - b. If liquid has been spilled, or objects have fallen into the video product.
  - c. If the video product has been exposed to rain or water.
  - d. If the video product has been dropped or the cabinet has been damaged.
  - e. When the video product exhibits a distinct change in performance.

## WARRANTY

OKINA USA products are covered under warranty for one year from the date of purchase. The warranty will automatically be voided if any of the following occurs:

- 1. Camera sticker is removed**  
If the camera sticker is removed, we will not be able to confirm any information regarding when and where the product was purchased. We have no other way to verify the purchase record without the serial number on the camera sticker; therefore, it should not be removed.
- 2. Camera is modified in any way**  
If the camera is scratched, damaged, or modified in a manner not described in this manual, the warranty will be voided immediately. It is the customer's responsibility to keep the camera in good condition.
- 3. Video or power cable is cut**  
The video cable and the power cable should not be tampered with. Cutting or modifying of the cables will result in termination of the warranty.