



# **NIVS-Z1D Video Server**

## **Hardware User Manual**

### **-Contents-**

<b>CHAPTER 1. SAFETY INSTRUCTION .....</b>	<b>1</b>
<b>CHAPTER 2. INTRODUCTION .....</b>	<b>3</b>
<b>CHAPTER 3. PACKAGE CONTENTS .....</b>	<b>4</b>
<b>CHAPTER 4. PHYSICAL DESCRIPTION.....</b>	<b>5</b>
<b>4.1 FRONT VIEW.....</b>	<b>5</b>
<b>4.2 BACK VIEW.....</b>	<b>6</b>
<b>CHAPTER 5. BASIC CONNECTION .....</b>	<b>7</b>

# Hardware User Manual

## Chapter 1. Safety Instruction

### ➤ **Before you use this product**

This product has been designed with safety in mind. However, the electrical products can cause fires which may lead to serious body injury if not used properly. To avoid such accidents, be sure to heed the following.

### ➤ **Legal Caution**

Video and audio surveillance can be forbidden by laws that vary from country to country. Check the laws in your local region before using this product for surveillance purposes.

### ➤ **Don't open the housing of the product**

Don't try to open the housing or remove the covers which may expose yourself to dangerous voltage or other hazards.

### ➤ **Don't use the accessories not recommend by the manufacturer**

### ➤ **Heed the safety precautions**

Be sure to follow the general safety precautions and the "Operation Notice."

### ➤ **Operation Notice - Operating or storage location**

Avoid operating or storing the camera in the following locations:

- Extremely hot or cold places  
(Operating temperature: 0 °C to + 50 °C [32 °F to 122°F] )
- Exposed to direct sunlight for a long time, or close to heating equipment (e.g., near heaters)
- Close to water (e.g. near a bathtub, kitchen sink, laundry tub)
- Close to sources of strong magnetism
- Close to sources of powerful electromagnetic radiation, such as radios or TV transmitters
- Locations subject to strong vibration or shock

➤ **In case of a breakdown**

In case of system breakdown, discontinue use and contact your authorized dealer.

➤ **In case of abnormal operation**

- If the unit emits smoke or an unusual smell,
- If water or other foreign objects enter the cabinet, or
- If you drop the unit or damage the cabinet:1 Disconnect the cable and the connecting cables. 2 Contact your authorized dealer or the store where you purchased the product.

➤ **Transportation**

When transporting the camera, repack it as originally packed at the factory or in materials of equal quality.

➤ **Ventilation**

To prevent heat buildup, do not block air circulation around the device.

➤ **Cleaning**

- Use a soft, dry cloth to clean the external surfaces of the device. Stubborn stains can be removed using a soft cloth dampened with a small quantity of detergent solution, then wipe dry.
- Do not use volatile solvents such as alcohol, benzene or thinners as they may damage the surface.

# Chapter 2. Introduction

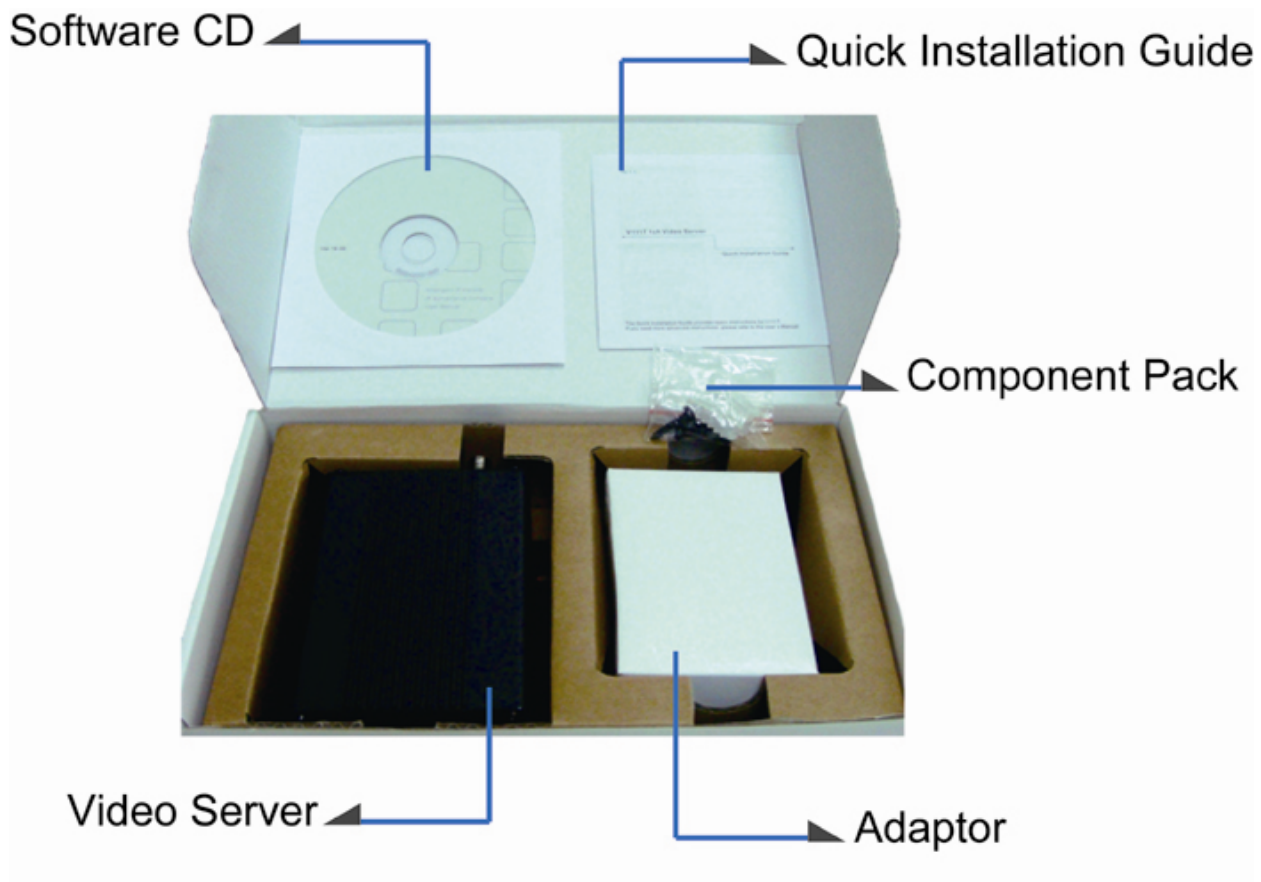
The NIVS-Z1D is a full-function 1-channel video server offering Power over Ethernet (PoE), RS-485 for PTZ control, digital inputs / outputs for external alarm or sensor and its incredibly stable and powerful firmware



## **Key Features:**

- Power over Ethernet IEEE 802.3af Class 0 supplies power to the camera via the network
- RS-485 for PTZ (Pan / Tilt / Zoom) control
- Digital Input / Output Port for External Alarm & Sensor
- Simultaneous MPEG-4 and Motion JPEG video stream
- Excellent Image Quality with up to flexible 30 fps in Full D1 Resolution
- Synchronized Two-way Audio
- Optimal Synchronization of Audio and Video
- Mobile Phone Streaming Live Video through 3GPP / ISMA / RTSP
- Mobile Phone Live Image through 2.5 WAP
- Multi-level Password Protection for Restricting Camera Access
- Built-In Multi-Window Motion Detection
- Video Buffer makes the Streaming Smoother
- UPnP for Fast and Easy Installation
- DDNS Supported
- Bundled 16 Channel Surveillance Software
- User-friendly & Multi-lingual UI

## Chapter 3. Package Contents



**Video Server**- NIVS-Z1D Video Server

**Quick Installation Guide** - To provide brief product information and quick installation and wireless setting

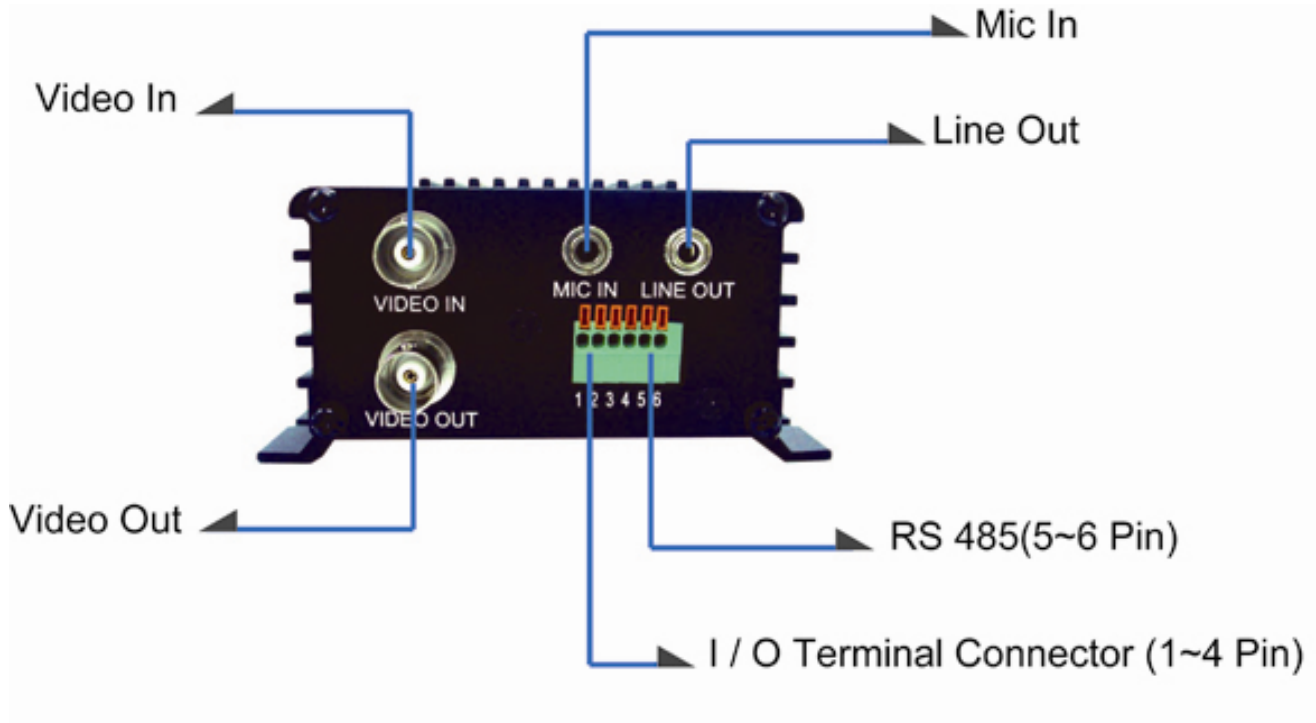
**Software CD** - To provide IP Surveillance Software, Intelligence IP Installer, User Manuals, and Language Packs

**Screw Pack** - Applied screws to fix the video server to a flat surface.

**Adaptor** - 12V DC, max 2.6W

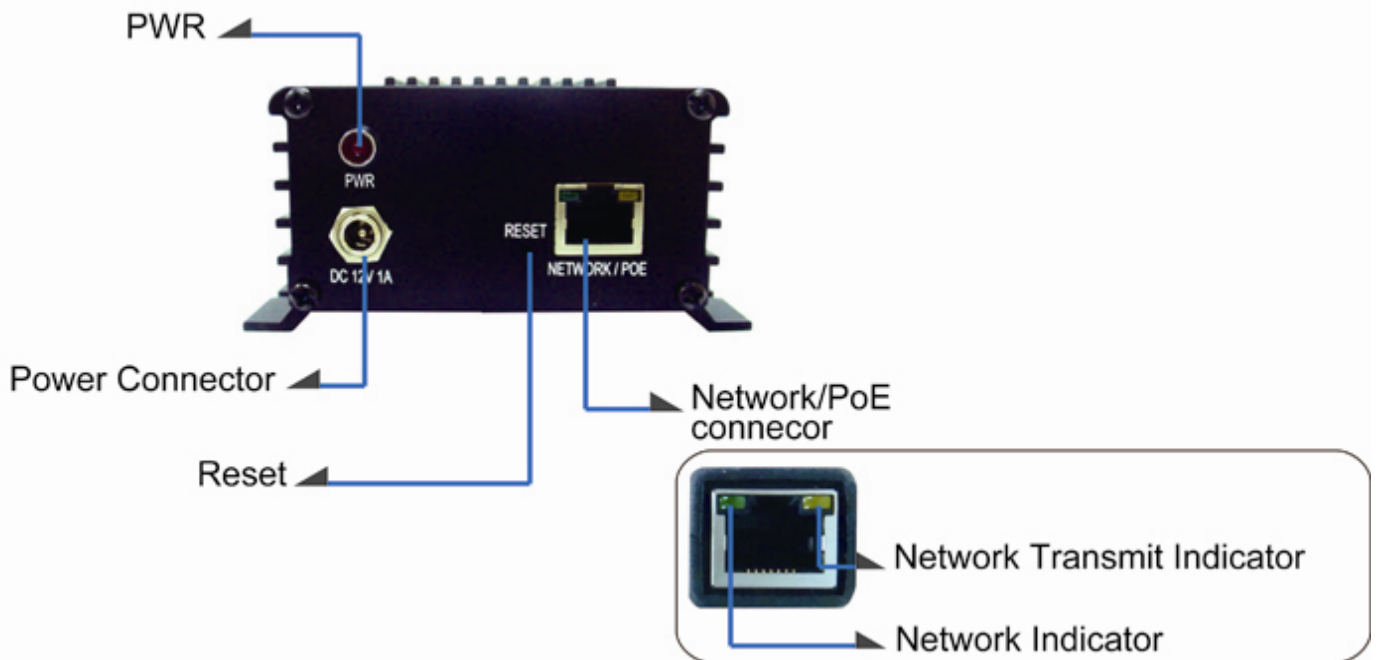
# Chapter 4. Physical Description

## 4.1 Front View



- **Video In**-To support one channel video input for easy use
- **Video Out** -To support one channel video output for easy use
- **I / O Terminal Connector (1~4 Pin)** –1 Input / 1 Output to support External Alarm and Sensor used for motion detection, event triggering and alarm notification...etc.
- **RS-485(5~6 Pin)** - For Pan/ Tilt Control
- **Line Out**- To support audio out with earphones or speakers for two way audio
- **Mic In**- To support audio in with Microphone for two way audio

## 4.2 Back View



- **PWR**- Power LED will light up after the IP Camera completed the boot process
- **Power Connector** - For connection of 12V DC input
- **Reset** - When the device is empowered, press the Reset Button to reboot the device, or hold the Reset Button for 10 seconds to set the device settings back to factory default
- **Network Connector** - For connection to the Ethernet via RJ-45 standard with PoE
  - **Network Indicator (Green Light)** - Green light will light up after the IP Camera connected with network and IP Camera completed the boot process.
  - **Network Transmit Indicator (Yellow Light)** – Yellow light will light up when the data is transmitting via internet.

# Chapter 5. Basic Connection

A video server makes it possible to move forward a network video system without having to discard existing analog equipment. It brings new functionality to analog equipment and eliminates the need for dedicated equipment such as coaxial cabling, monitor and DVRs. You can see the basic connection of video server below.

