

SIRZ36-754LP kit
HI11-TKHBL + SZ36-7540

SIRZ36-754LPP kit
HI11-TKHBL + SZ36-7540P

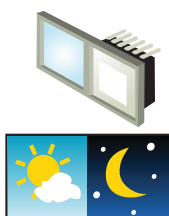


HI11-TKHBL



SZ36-7540

TRUE
DN



Mechanical IR Cut Filter (ICR)



Camera – SZ36-7540

- 1/4" Sony Exview HAD CCD, Sony HQ-1 DSP
- 36x Optical Auto Focus / Auto Iris Zoom Lens
- Color: 540 TVL; B&W: 560 TVL
- 0.7 Lux @ F1.6 (30 IRE)
- Multi-language OSD Setting Menu
- Mechanical IR Cut Filter (ICR) / Infrared Compensation
- Auto / Ext / Schedule Day & Night Mode
- Privacy Zone Masking / Alarm Function
- Timer Clock; RS485 Interface (Pelco-D, Pelco P)
- 12V DC, 4.5W

Housing & Bracket – HI11-TKHBL

- 11 Super Power IR LED, 6pcs x 25° / 5pcs x 45°
- IR Distance up to 395ft / 120m ▲
- User Adjustable IR LED Intensity (VR)
Factory Default 80% ◆
- Fully-Cable Managed Bracket
- Uses professional rust-proof stainless steel screws
- IP66 Rating, Heater & Blower, I/O
- 24V AC, 60VA (Power Ready Plug for 12V DC Camera)

P = PAL Version



TRUE
DN

SPECIFICATIONS

FC CE RoHS Made in Taiwan

Camera - Please refer to SZ36-7540 Camera Catalog

Housing - HI11-TKHBL

| | |
|--------------------------------------|--|
| Model | HI11-TKHBL |
| LED Quantity | 11 Super Power IR LEDs |
| IR LED Beam Angle | 6pcs 25° / 5pcs x 45° |
| IR Wave Length | 850nm |
| IR Distance | 395ft / 120m ▲ |
| IR Light On/Off | Auto Light Sensor Control |
| Heater Control | 64°F / 18°C (on) ; 82°F / 28°C (off) |
| Blower Control | 95°F / 35°C (on) ; 77°F / 25°C (off) |
| IP Rating | IP66 |
| Temper Glass Thickness | 4mm |
| Mounting Bracket | Full-Cable Management |
| Construction | Die-Cast Aluminum Alloy |
| Coating | Ivory Powder Stove |
| Required Power Supply / Transformer* | 24V AC (+/-10%), 60VA |
| Power Consumption | 16 Watts |
| Dimension | 16.73"(L) x 6.30"(W) x 6.50"(H) 425mm(L) x 160mm(W) x 165mm(H) |
| Camera Space | 7.87"(L) x 4.33"(W) x 4.53"(H) 200mm(L) x 110mm(W) x 115mm(H) |
| Weight | 7.72 lbs / 3500g (w/out bracket) 11.75 lbs / 5330g (with bracket) |

*Specifications and appearance are subject to change without notice

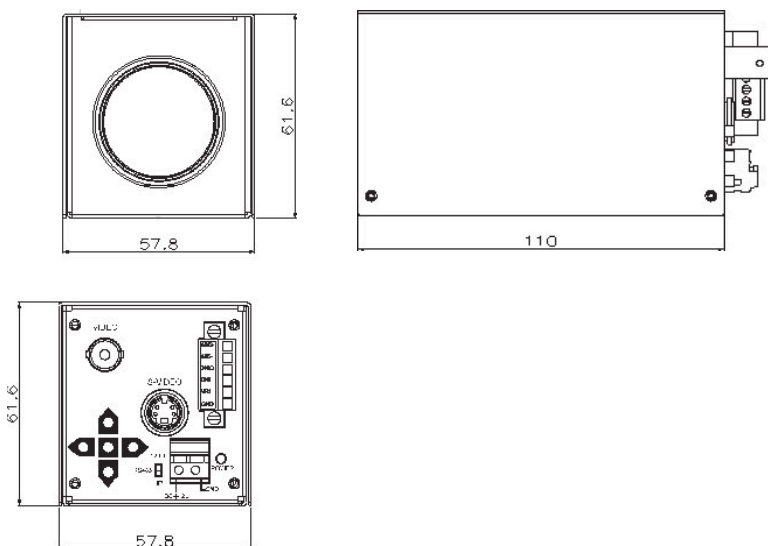
*Power Supply / transformer not included

▲ NOTE 1: IR light distances are entirely dependant upon environmental site conditions and the location at which the unit is situated. The type of camera being used is also very important.

◆ NOTE 2: Factory default for the IR LED activation level is 80%. If there is not enough IR light, adjust the VR level to maximum 100%.

DIMENSIONS AND PARTS

Camera



Illuminator Housing & Bracket

