



PTZ-KB250

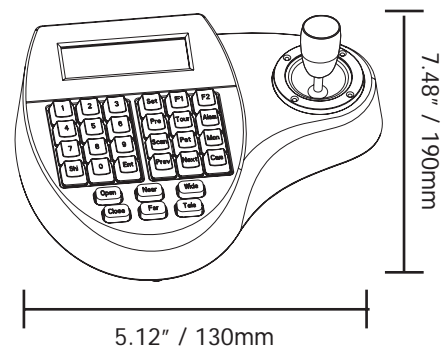


SPECIFICATIONS

| | |
|------------------------------|---|
| Model | PTZ-KB250X |
| Joystick | 3-AXIS Control |
| Display | 2-Lube display with backlight |
| Configuration | DIP-less OSD Software setting |
| PTZ Control | Multiple protocols |
| Matrix | Pelco matrix |
| Communication | Between Speed Dome Camera & Controller Port to multi-port and half duplex function |
| Communication Connector | RS485 & RS422 |
| Baud Rate | Four baud rates i.e. 2400Bps, 4800Bps, and 9600Bps |
| Number of Controlled Cameras | Up to 32 |
| Power Supply | 12V DC, 500mA |
| Dimensions | 8.58"(W) x 7.09"(H) x 2.2"(D) 218mm(W) x 180mm(H) x 55.5mm(D) |

*Specifications are subject to change without notice

DIMENSIONS



2-AXIS Compact

PTZ Controller