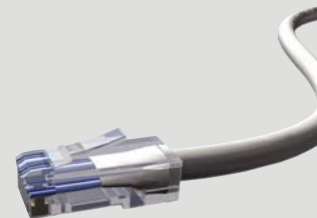


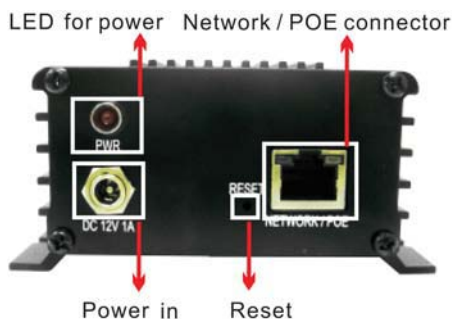
NIVS-Z1D



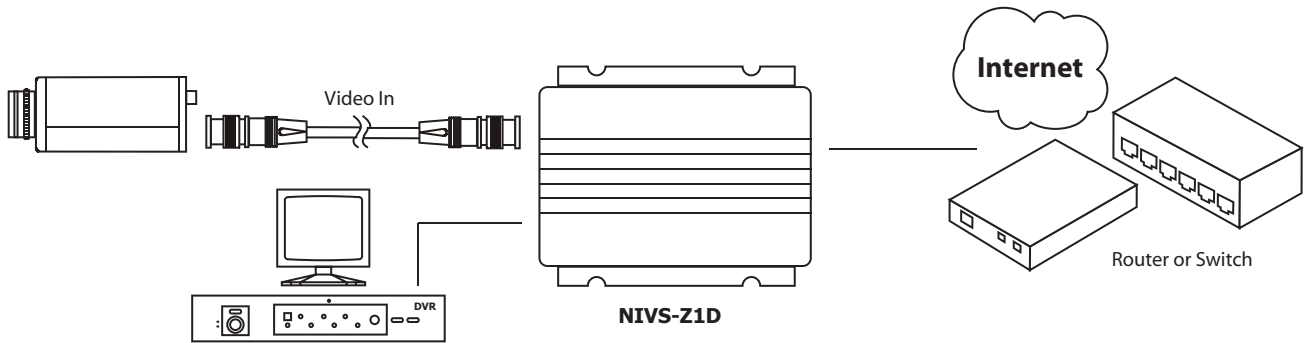
Front



Rear



- Power over Ethernet IEEE 802.3af Class 0 suppliers power to the camera via the network
- RS-485 for PTZ (Pan / Tilt / Zoom) control
- Digital Input / Output Port for External Alarm & Sensor
- Simultaneous MPEG4 and Motion JPEG video stream
- Excellent Image Quality with up to flexible 30 fps in Full D1 Resolution
- Synchronized Two-way Audio
- Optimal Synchronization of Audio and Video
- Mobile Phone Streaming Live Video through 3GPP / ISMA / RTSP
- Mobile Phone Live Image through 2.5 WAP
- Multi-level Password Protection for Restricting Camera Access
- Built-In Multi-Window Motion Detection
- Video Buffer makes the Streaming Smoother
- UPnP for Fast and Easy Installation
- DDNS Supported
- Bundled 16 Channel Surveillance Software
- User-friendly & Multi-lingual UI



SPECIFICATIONS

FC CE Made in Taiwan

System	CPU: ARM9 based 32-bit RISC Flash: 8 MB SDRAM: 64 MB Embedded OS: Linux 2.4
Video Compression	MPEG4 , Motion JPEG Adjustable Bitrate (64Kbps to 2048Kbps), Quality and Bitrate
Video Resolution	Up to 30 frames at 704x480 (NTSC), Up to 25 frames at 704x576 (PAL)
Video Streaming	Simultaneous MPEG4 & MJPEG (Dual Streaming) Supports Unicast & Multicast Supports 3GPP/ISMA RTSP (Real Time Streaming Protocol)
Audio	Two-way audio (full-duplex)
Alarm and Event	Built-in multi-window motion detection Input x 1, Output x 1 for External Alarm & Sensor (DIDO) Triggered and scheduled events Pre- and Post-alarm buffer Supports SMTP, FTP and HTTP events
Supported Protocols	TCP/IP, DHCP, PPPoE, ARP, ICMP, FTP SMTP, DNS, NTP, UPnP, RTSP, RTP, HTTP, TCP, UDP, 3GPP/ISMA RTSP
Security	ID/Password Authentication; SSL Protocol V3.0
Power	12V DC, 1A, Max 2.6W PoE (Power over Ethernet) Built-in IEEE 802.3af Class 0
Pan/Tilt/Zoom Protocol	Pelco D, Pelco P, Videotrec, Lilin, Dynacolor Baud rate; 1200, 2400, 4800, 9600
Connectors	Ethernet - RJ45 for 10/100 Base-T (with PoE) 12V DC; RS-485 for PTZ Control Input x 1, Output x 1 for External Alarm & Sensor (DIDO) Analog video input (BNC); Analog video output (BNC) 3.5mm audio input; 3.5mm audio output
Operating Environment	0° - 50°C (32° - 122°F) Humidity 20 - 80% RH (non-condensing)
Video Surveillance Software	Professional Surveillance application for viewing, recording and archiving up to 16 cameras
Approvals	CE, FCC, RoHS
Dimensions	110mm x 100mm x 45mm

*Specifications and appearance are subject to change without notice