



1/2" 4.5-10mm F1.6 Manual Vari-Focal 5 Megapixel Lens



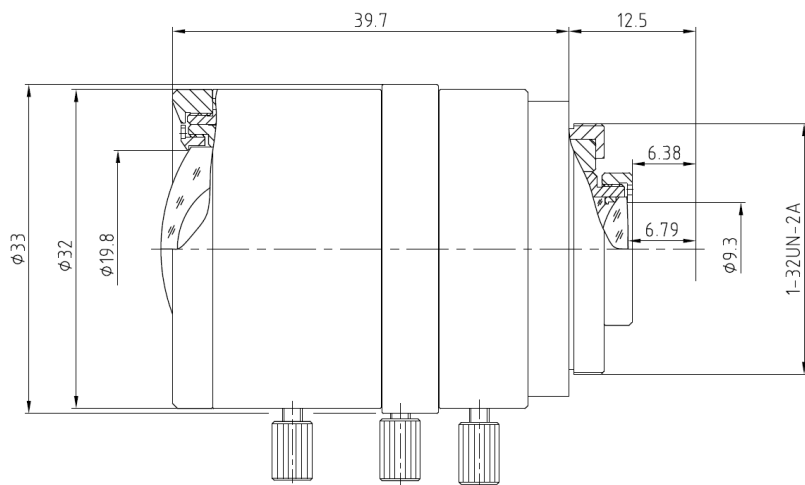
SPECIFICATIONS

FC CE RoHS Made in Taiwan

Model	LEN4510M5-12
Image Sensor	CCD/CMOS
Focal Length	4.5 - 10.0mm
Aperture (F)	F1.6
F.O.V.	80.5° - 37°(H) ; 360° - 28°(V) ; 102° - 46.5°(D)
Back Focal Length	6.97 - 11.8mm
Effective Aperture	Ø19.8mm Front ; Ø9.3mm Rear
Iris	Manual
MTF	MP
M.O.D.	0.1m
Lens Construction	9 - 9
Mount	CS
Max. Support Resoluion	5MP
Dimensions	Ø1.3 x 1.56(H) / Ø33 x 39.7(H) mm
Weight	2.84oz / 80.5g

*Specifications and appearance are subject to change without notice

DIMENSIONS



R201308-V22