



# 1/2" 4.5-10mm F1.6 Auto Vari-Focal 5 Megapixel IR Lens



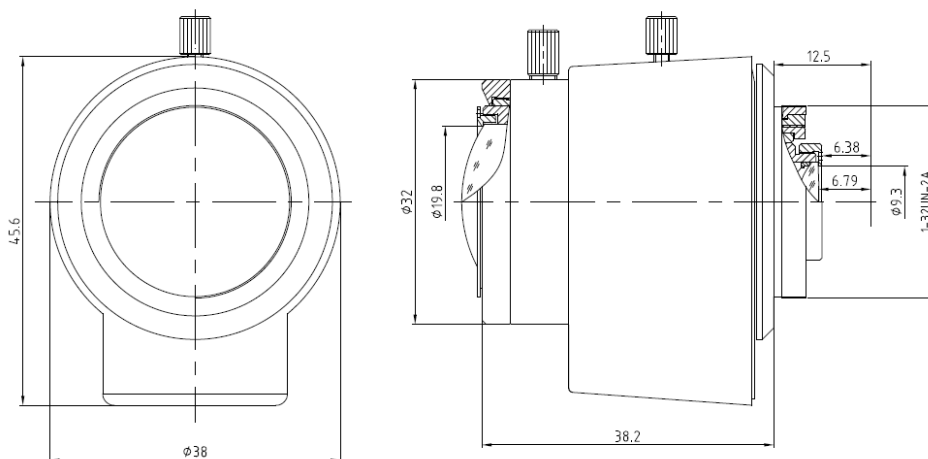
## SPECIFICATIONS

FC CE RoHS Made in Taiwan

<b>Model</b>	<b>LEN4510DCM5-12</b>
<b>Image Sensor</b>	CCD/CMOS
<b>Focal Length</b>	4.5 - 10.0mm
<b>Aperture (F)</b>	F1.6
<b>F.O.V.</b>	80.5° - 37°(H) ; 360° - 28°(V) ; 102° - 46.5°(D)
<b>Back Focal Length</b>	6.97 - 11.8mm
<b>Effective Aperture</b>	Ø19.8mm Front ; Ø9.3mm Rear
<b>Iris</b>	Auto
<b>MTF</b>	MP
<b>M.O.D.</b>	0.1m
<b>Lens Construction</b>	9 - 9
<b>Mount</b>	CS
<b>Max. Support Resoluion</b>	5MP
<b>Dimensions</b>	Ø1.26 x 1.5(L) x 1.8(W) inches / Ø32 x 38.2(L) x 45.6(W) mm
<b>Weight</b>	2.7oz / 76.7g

\*Specifications and appearance are subject to change without notice

## DIMENSIONS



R201308-V22