

1/3" 3.5 - 8.0mm F1.4 Auto(DC) Vari-Focal 1.3 Megapixel IR Lens



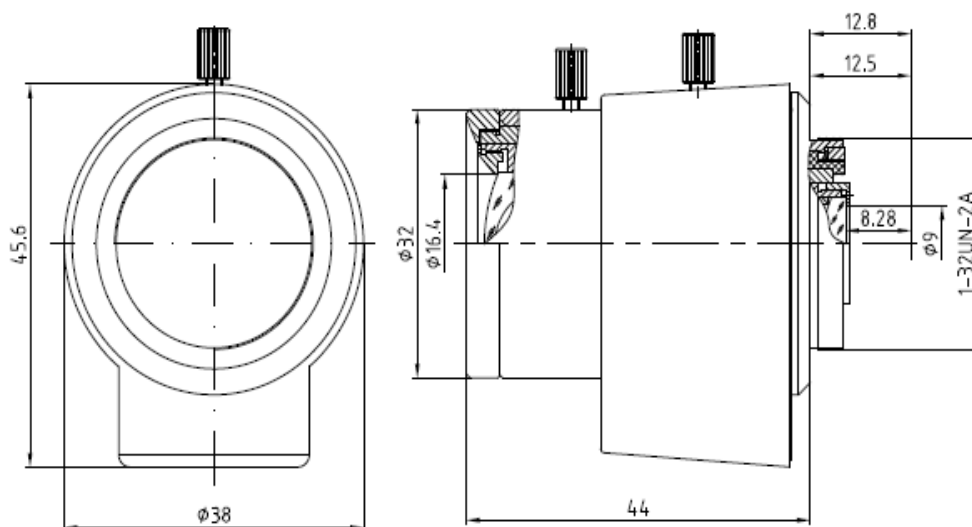
SPECIFICATIONS

FC CE RoHS Made in Taiwan

Model	LEN3580DCM
Image Sensor	CCD/CMOS
Focal Length	3.5 - 8.0mm
Aperture (F)	F1.4
F.O.V.	78° - 34° (H) ; 57° - 25.5°(V) ; 100° - 43°(D)
Back Focal Length	8.28 - 13.38mm
Effective Aperture	Ø16.4mm Front ; Ø9mm Rear
Iris	Auto
MTF	MP
M.O.D.	0.1m
Lens Construction	9 - 8
Mount	CS
Max. Support Resoluion	1.3MP
Dimensions	Ø1.3 x 1.72(L) x 1.8(W)inches / Ø33 x 43.7(L) x 45.6(W)mm
Weight	2.79oz / 79.2g

*Specifications and appearance are subject to change without notice

DIMENSIONS



R201308-V23