



# 1/3" 2.4-6.0mm F1.6 Auto(DC) Vari-Focal 2 Megapixel IR Lens



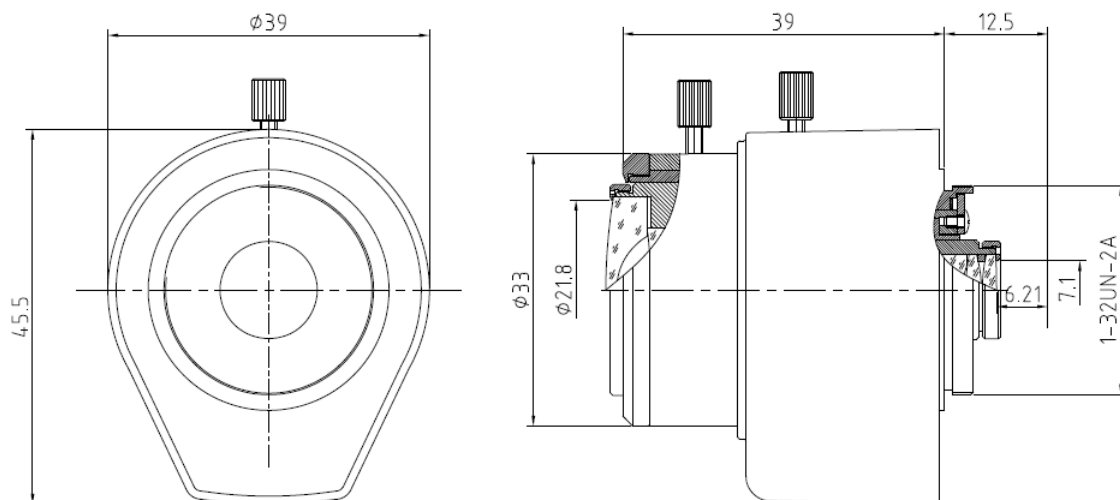
## SPECIFICATIONS

FC CE RoHS Made in Taiwan

<b>Model</b>	<b>LEN2460DCM2</b>
<b>Image Sensor</b>	CCD/CMOS
<b>Focal Length</b>	2.4 - 6.0mm
<b>Aperture (F)</b>	F1.6
<b>F.O.V.</b>	112° - 47° (H) ; 80° - 35°(V) ; 150.7° - 59°(D)
<b>Back Focal Length</b>	6.21 - 10.48mm
<b>Effective Aperture</b>	Ø21.8mm Front ; Ø7.1mm Rear
<b>Iris</b>	Auto
<b>MTF</b>	MP
<b>M.O.D.</b>	0.1m
<b>Lens Construction</b>	9 - 8
<b>Mount</b>	CS
<b>Max. Support Resoluion</b>	2MP
<b>Dimensions</b>	Ø1.54 x 1.54(L) x 1.8(W)inches / Ø39 x 39(L) x 45.5(W)mm
<b>Weight</b>	2.71oz / 77g

\*Specifications and appearance are subject to change without notice

## DIMENSIONS



R201308-V19