



1/3" 16.0mm F1.8 Fixed Mono-Focal 1.3 Megapixel IR Lens



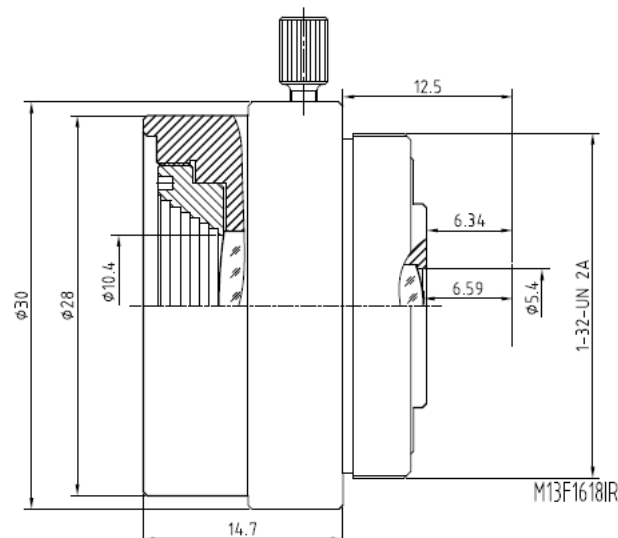
SPECIFICATIONS

FC CE RoHS Made in Taiwan

Model	LEN160M
Image Sensor	CCD/CMOS
Focal Length	16.0mm
Aperture (F)	F1.8
F.O.V.	16.4° (H) ; 12.5°(V) ; 21°(D)
Back Focal Length	6.59mm
Effective Aperture	Ø10.4mm Front ; Ø5.4mm Rear
Iris	Fixed
MTF	MP
M.O.D.	0.2m
Lens Construction	4 - 4
Mount	CS
Max. Support Resoluion	1.3MP
Dimensions	Ø1.18 x 0.57inches / Ø30 x 14.5mm
Weight	1.06oz / 30g

*Specifications and appearance are subject to change without notice

DIMENSIONS



R201308-V23