



# 1/2" 16mm F1.6 Fixed Mono-Focal 1.3 Megapixel IR Lens



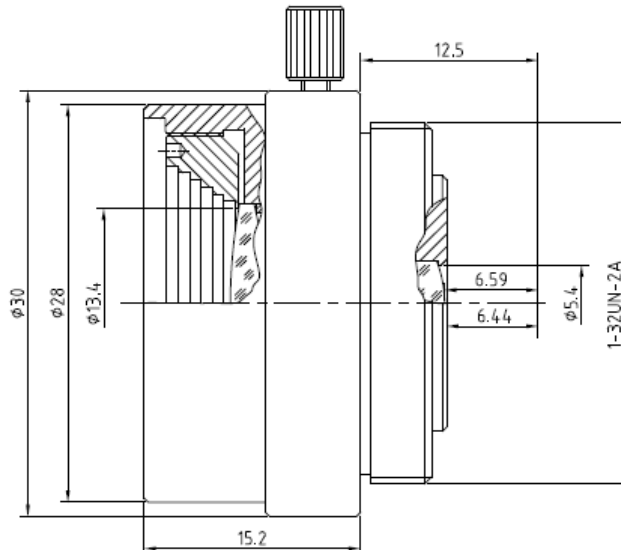
## SPECIFICATIONS

FC CE RoHS Made in Taiwan

<b>Model</b>	<b>LEN160M-12</b>
<b>Image Sensor</b>	CCD/CMOS
<b>Focal Length</b>	16mm
<b>Aperture (F)</b>	F1.6
<b>F.O.V.</b>	20°(H) ; 16.2°(V) ; 24°(D)
<b>Back Focal Length</b>	6.59mm
<b>Effective Aperture</b>	Ø13.4mm Front ; Ø5.4mm Rear
<b>Iris</b>	Fixed
<b>MTF</b>	MP
<b>M.O.D.</b>	0.2m
<b>Lens Construction</b>	4 - 4
<b>Mount</b>	CS
<b>Max. Support Resoluion</b>	1.3MP
<b>Dimensions</b>	Ø1.18 × 0.6inches / Ø30 × 15.2mm
<b>Weight</b>	1oz / 28.3g

\*Specifications and appearance are subject to change without notice

## DIMENSIONS



R201308-V23