



1/3" 12.0mm F1.8 Fixed Mono-Focal 1.3 Megapixel IR Lens



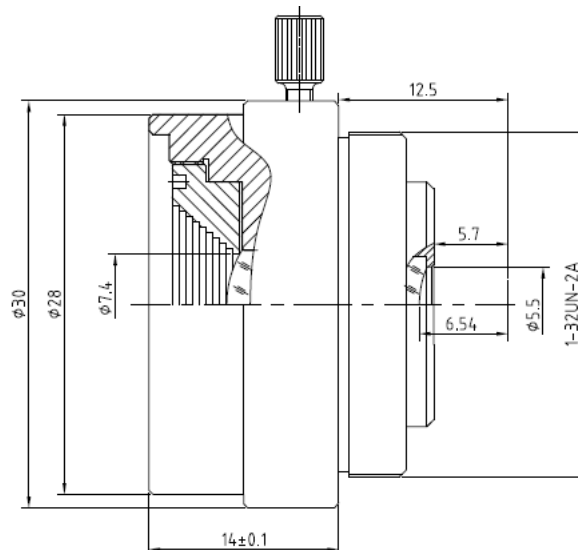
SPECIFICATIONS

FC CE RoHS Made in Taiwan

Model	LEN120M
Image Sensor	CCD/CMOS
Focal Length	12.0mm
Aperture (F)	F1.8
F.O.V.	22.72° (H) ; 17.2°(V) ; 28.4°(D)
Back Focal Length	6.54mm
Effective Aperture	Ø7.4mm Front ; Ø5.5mm Rear
Iris	Fixed
MTF	MP
M.O.D.	0.2m
Lens Construction	5 - 4
Mount	CS
Max. Support Resoluion	1.3MP
Dimensions	Ø1.18 x 0.54inches / Ø30 x 13.6mm
Weight	0.98oz / 27.7g

*Specifications and appearance are subject to change without notice

DIMENSIONS



R201308-V23