



1/2" 12mm F1.6 Fixed Mono-Focal 1.3 Megapixel IR Lens



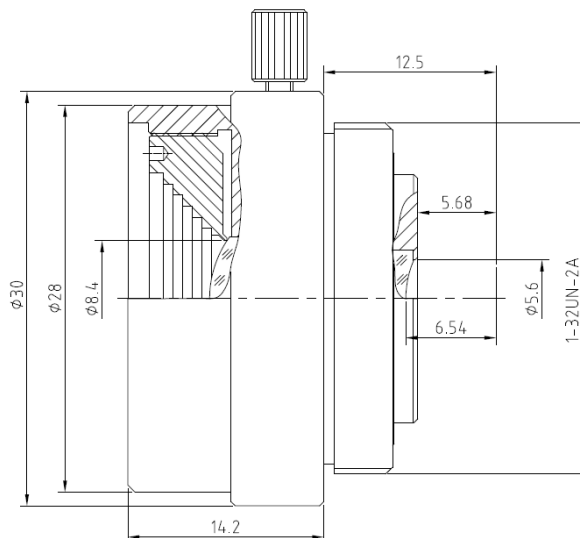
SPECIFICATIONS

FC CE RoHS Made in Taiwan

Model	LEN120M-12
Image Sensor	CCD/CMOS
Focal Length	12mm
Aperture (F)	F1.6
F.O.V.	31°(H) ; 23°(V) ; 38.6°(D)
Back Focal Length	6.54mm
Effective Aperture	Ø8.4mm Front ; Ø5.6mm Rear
Iris	Fixed
MTF	MP
M.O.D.	0.2m
Lens Construction	5 - 4
Mount	CS
Max. Support Resoluion	1.3MP
Dimensions	Ø1.18 × 0.56inches / Ø30 × 14.2mm
Weight	0.98oz / 27.9g

*Specifications and appearance are subject to change without notice

DIMENSIONS



R201308-V23