



1/2" 8.0mm F1.6 Fixed Mono-Focal 1.3 Megapixel IR Lens



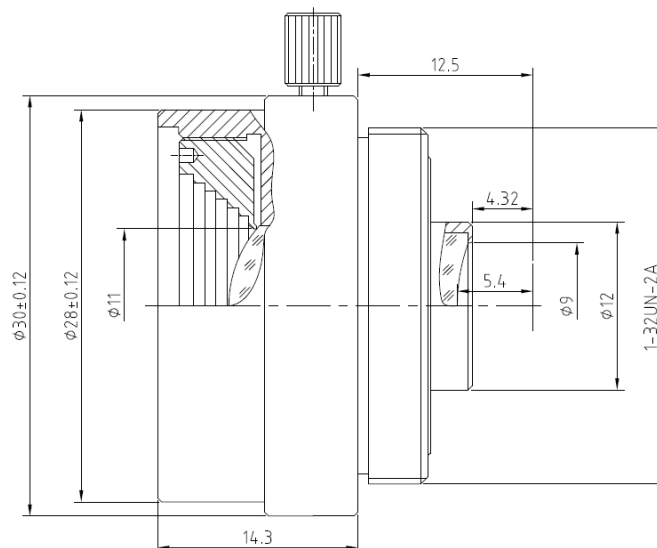
SPECIFICATIONS

FC CE RoHS Made in Taiwan

Model	LEN080M-12
Image Sensor	CCD/CMOS
Focal Length	8mm
Aperture (F)	F1.6
F.O.V.	48°(H) ; 35°(V) ; 62°(D)
Back Focal Length	5.4mm
Effective Aperture	Ø11mm Front ; Ø9mm Rear
Iris	Fixed
MTF	MP
M.O.D.	0.2m
Lens Construction	6 - 5
Mount	CS
Max. Support Resoluion	1.3MP
Dimensions	Ø1.18 × 0.5inches / Ø30 × 14.3mm
Weight	0.96oz / 27.3g

*Specifications and appearance are subject to change without notice

DIMENSIONS



R201308-V23