

1/3" 6.0mm F1.8 Fixed Mono-Focal 1.3 Megapixel IR Lens



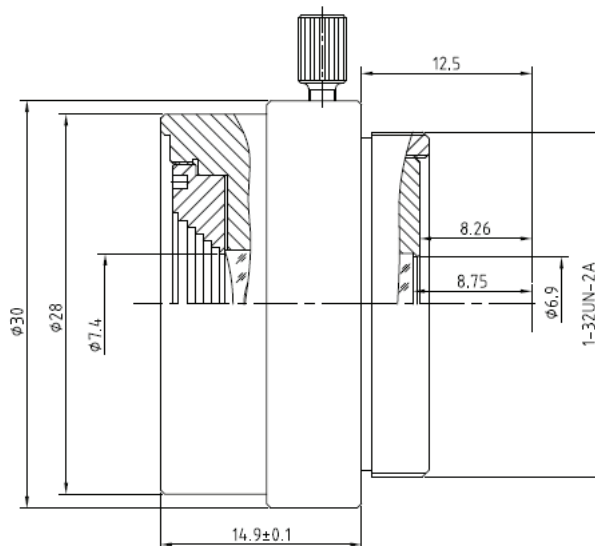
SPECIFICATIONS

FC CE RoHS Made in Taiwan

Model	LEN060M
Image Sensor	CCD/CMOS
Focal Length	6.0mm
Aperture (F)	F1.8
F.O.V.	48° (H) ; 34.5°(V) ; 60°(D)
Back Focal Length	8.75mm
Effective Aperture	Ø7.4mm Front ; Ø6.9mm Rear
Iris	Fixed
MTF	MP
M.O.D.	0.2m
Lens Construction	6 - 5
Mount	CS
Max. Support Resoluion	1.3MP
Dimensions	Ø1.18 x 0.58inches / Ø30 x 14.7mm
Weight	1.03oz / 29.3g

*Specifications and appearance are subject to change without notice

DIMENSIONS



R201308-V23