



1/2" 6.0mm F1.6 Fixed Mono-Focal 1.3 Megapixel IR Lens



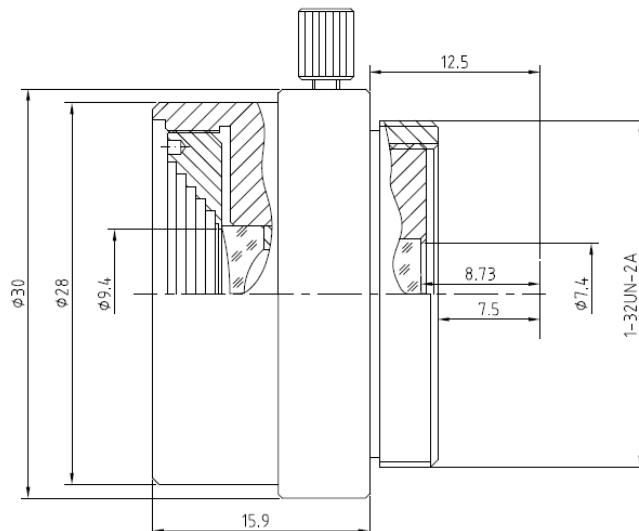
SPECIFICATIONS

FC CE RoHS Made in Taiwan

Model	LEN060M-12
Image Sensor	CCD/CMOS
Focal Length	6mm
Aperture (F)	F1.6
F.O.V.	65°(H) ; 46°(V) ; 88°(D)
Back Focal Length	8.73mm
Effective Aperture	Ø9.4mm Front ; Ø7.4mm Rear
Iris	Fixed
MTF	MP
M.O.D.	0.2m
Lens Construction	5 - 4
Mount	CS
Max. Support Resoluion	1.3MP
Dimensions	Ø1.18 × 0.56inches / Ø30 × 15.9mm
Weight	1.04oz / 29.4g

*Specifications and appearance are subject to change without notice

DIMENSIONS



R201308-V23