

1/3" 3.6mm F1.8 Fixed Mono-Focal 1.3 Megapixel IR Lens



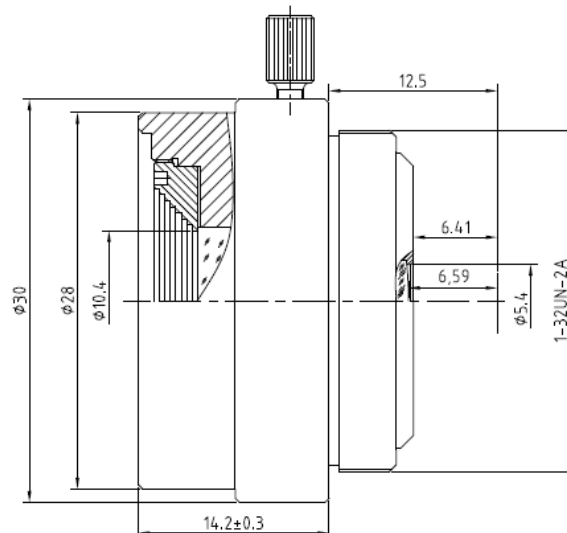
SPECIFICATIONS

FC CE RoHS Made in Taiwan

Model	LEN036M
Image Sensor	CCD/CMOS
Focal Length	3.6mm
Aperture (F)	F1.8
F.O.V.	77° (H) ; 54°(V) ; 100.2°(D)
Back Focal Length	6.59mm
Effective Aperture	Ø10.4mm Front ; Ø5.4mm Rear
Iris	Fixed
MTF	MP
M.O.D.	0.2m
Lens Construction	6 - 5
Mount	CS
Max. Support Resoluion	1.3MP
Dimensions	Ø1.18 x 0.56inches/ Ø30 x 14.2mm
Weight	1oz / 28.3g

*Specifications and appearance are subject to change without notice

DIMENSIONS



R201308-V23