

1/2.5" 3.6mm F1.8 Fixed Mono-Focal 5 Mega IR Lens



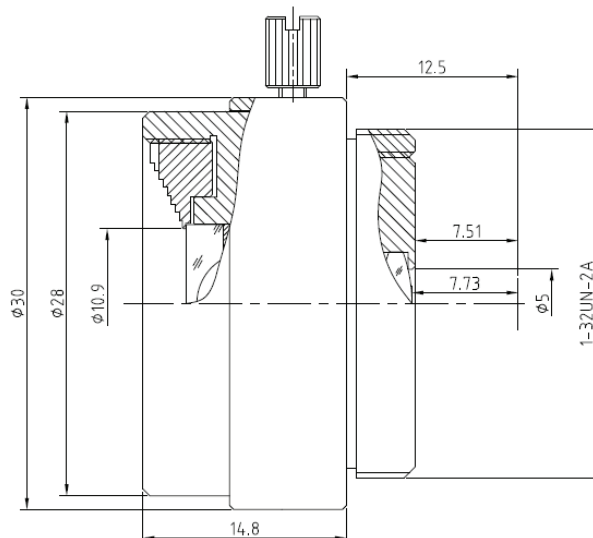
SPECIFICATIONS

FC CE RoHS Made in Taiwan

Model	LEN036M5
Image Sensor	CCD/CMOS
Focal Length	3.6mm
Aperture (F)	F1.8
F.O.V.	93°(H) ; 67°(V) ; 126°(D)
Back Focal Length	7.73mm
Effective Aperture	Ø10.9mm Front ; Ø5mm Rear
Iris	Auto
M.O.D.	0.1m
Lens Construction	6 - 5
Mount	CS
Max. Support Resoluion	3MP
Dimensions	Ø1.18 x 0.58 inches / Ø30 x 14.8 mm

*Specifications and appearance are subject to change without notice

DIMENSIONS



R201308-V29