



1/1.8" 2.95mm F2.0 Fixed Mono-Focal 3 Megapixel IR Lens



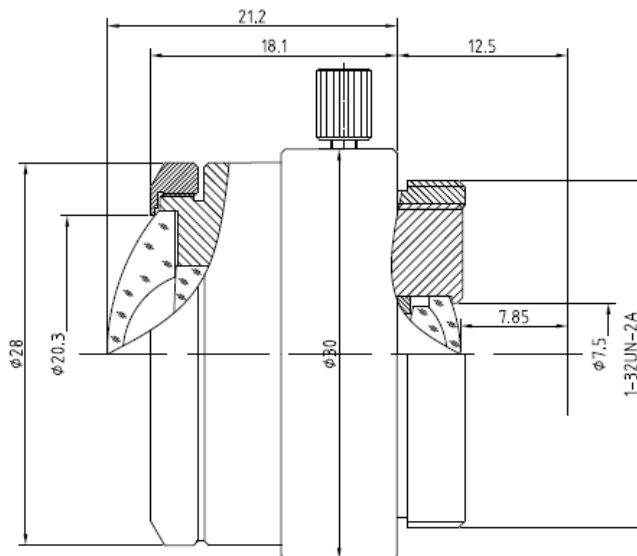
SPECIFICATIONS

FC CE RoHS Made in Taiwan

Model	LEN030M3-118
Image Sensor	CCD/CMOS
Focal Length	2.95mm
Aperture (F)	F2.0
F.O.V.	138°(H) ; 104°(V) ; 178°(D)
Back Focal Length	7.85mm
Effective Aperture	Ø20.3mm Front ; Ø7.5mm Rear
Iris	Fixed
MTF	MP
M.O.D.	0.15m
Lens Construction	8 - 6
Mount	CS
Max. Support Resoluion	2MP
Dimensions	Ø1.18 × 0.83inches / Ø30 × 21.2mm
Weight	1.4oz / 39.8g

*Specifications and appearance are subject to change without notice

DIMENSIONS



R201308-V22