



# 1/2.7" 2.8mm F2.0 Fixed Mono-Focal 1.3 Megapixel IR Lens



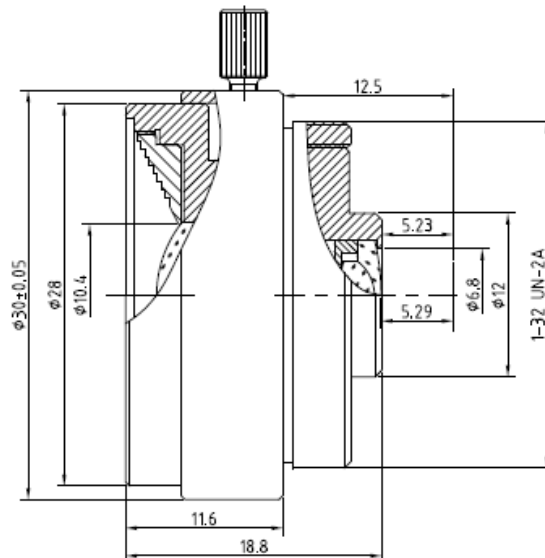
## SPECIFICATIONS

FC CE RoHS Made in Taiwan

Model	LEN028M
Image Sensor	CCD/CMOS
Focal Length	2.8mm
Aperture (F)	F2.0
F.O.V.	98° (H) ; 73°(V) ; 122°(D)
Back Focal Length	5.29mm
Effective Aperture	Ø10.4mm Front ; Ø6.8mm Rear
Iris	Fixed
MTF	MP
M.O.D.	0.2m
Lens Construction	5 - 4
Mount	CS
Max. Support Resoluion	1.3MP
Dimensions	Ø1.18 x 0.47inches/ Ø30 x 12mm
Weight	1.13oz / 28.7g

\*Specifications and appearance are subject to change without notice

## DIMENSIONS



R201308-V23