



# 1/2.7" 2.8mm F2.0 Fixed Mono-Focal 2 Megapixel IR Lens



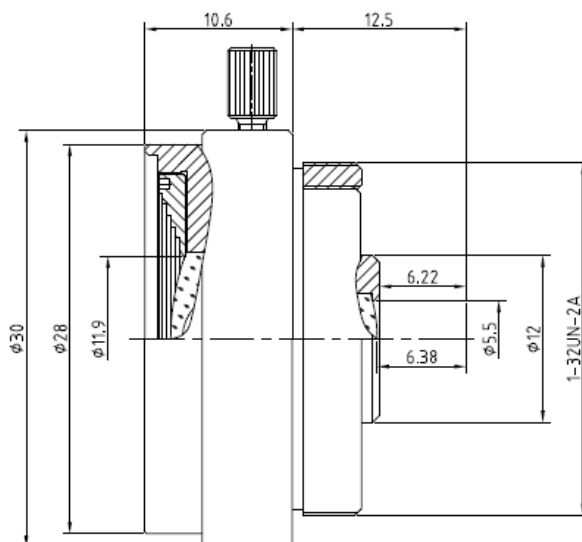
## SPECIFICATIONS

FC CE RoHS Made in Taiwan

<b>Model</b>	<b>LEN028M2</b>
<b>Image Sensor</b>	CCD/CMOS
<b>Focal Length</b>	2.8mm
<b>Aperture (F)</b>	F2.0
<b>F.O.V.</b>	110° (H) ; 81.5°(V) ; 142°(D)
<b>Back Focal Length</b>	6.36mm
<b>Effective Aperture</b>	Ø11.9mm Front ; Ø5.5mm Rear
<b>Iris</b>	Fixed
<b>MTF</b>	MP
<b>M.O.D.</b>	0.2m
<b>Lens Construction</b>	6 - 5
<b>Mount</b>	CS
<b>Max. Support Resoluion</b>	2MP
<b>Dimensions</b>	Ø1.18 x 0.42inches/ Ø30 x 10.6mm
<b>Weight</b>	0.28oz / 7.1g

\*Specifications and appearance are subject to change without notice

## DIMENSIONS



R201308-V23