



2/3" 2.0mm F2.0 Fixed Fisheye Mega IR Lens



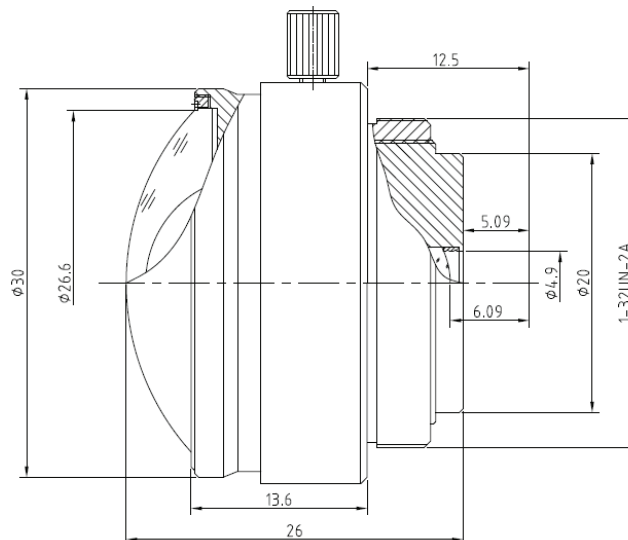
SPECIFICATIONS

FC CE RoHS Made in Taiwan

Model	LEN020M-23
Image Sensor	CCD/CMOS
Focal Length	2.0mm
Aperture (F)	F1.8
F.O.V.	195°(H) ; 195°(V) ; 195°(D)
Back Focal Length	6.09mm
Effective Aperture	Ø26.6mm Front ; Ø4.9mm Rear
Iris	Fixed
M.O.D.	0.08m
Lens Construction	8 - 6
Mount	CS
Max. Support Resoluion	1.3MP
Dimensions	Ø1.18 x 0.54 inches / Ø30 x 13.6 mm
Weight	0.65 oz / 18.4g

*Specifications and appearance are subject to change without notice

DIMENSIONS



R201308-V29