

HUB-TF
HUB-TFHB



HUB-TF



HUB-TFHB

- Constructed from die-cast aluminum alloy and is powder coated with stove finish
- IP67 Rating -- designed and manufactured to the highest technical standard with environmental protection
- Fully-Cable Managed Bracket
- Uses professional rust-proof stainless steel screws
- Includes Heater & Blower for HUB-TFHB
- 24V AC, 40VA



GENERAL SPECIFICATIONS

CE  RoHS Made in Taiwan

| Model Number | HUB-TF | HUB-TFHB |
|---------------------------------------|----------------------------------------------------------------|---------------------------------|
| IP Rating | IP67 | |
| Mounting Bracket | Full-Cable Management | |
| Construction | Die-Cast Aluminum Alloy | |
| Coating | Ivory Powder Stove | |
| Heater | No | Yes |
| Blower | No | Yes |
| Required Power Supply / Transformer * | No | 24V AC (+/-10%), 40VA |
| Dimension | 17.72(L) x 5.31(W) x 5.51(H) in. / 450(L) x 135(W) x 140(H) mm | |
| Weight | 8.42 lbs / 3820g (with bracket) | 9.02 lbs / 4090g (with bracket) |

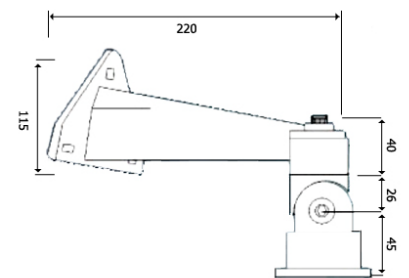
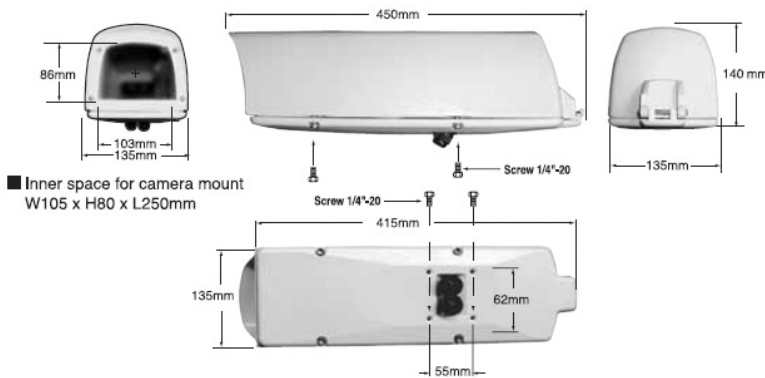
* Power supply / transformer not included

** Specifications and appearance are subject to change without notice

DIMENSIONS

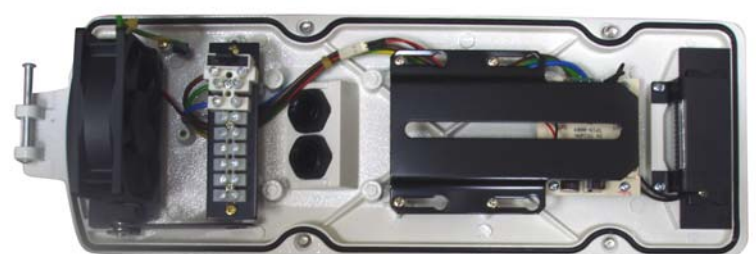
HUB-TF / HUB-TFHB:

Full-Cable Managed Bracket:



HUB-TF

HUB-TFHB



*** UL certification only refers to the power converter and the power module